

MSP08



**SUPER BRIGHT 8-INCH MASTER SERIES PROMPTER
ASSEMBLY AND INSTALLATION GUIDE**

Autocue and QTV have been serving the broadcast industry since the mid-1950s when QTV in New York and Autocue in London supplied the very first prompters via their rental divisions.

Creating broadcast history. The two companies merged in 1984 under Autocue Group and, with the introduction of the QSeries family of software, became the only company to offer the television industry a single solution for all transmission, newsroom, scripting and prompting requirements. QTV forms the Americas division of Autocue Group's prompting sales and rental services.

Prompter of choice around the globe. Autocue Group is known worldwide for its service and dependability, serving such prestigious clients as the BBC, Bloomberg, NBC and CNN. The Group's prompting solutions are compatible with all newsroom systems on the market and are in use worldwide by broadcasters, production professionals, government facilities and corporate producers requiring excellence in prompting and newsroom automation solutions.

For further information, please visit either web site shown at the bottom of this page.

Contents

	Contents	iii
1	Introduction	1
	1.1: MSP08.....	1
	1.2: About this guide.....	2
	1.3: Copyright information	2
	1.4: Disclaimer.....	2
2	MSP08 Components	4
	2.1: Supplied equipment.....	4
	2.2: Optional equipment	5
	2.3: Other equipment as required.....	6
3	MSP08 Technical Specifications	7
4	Assembly Procedures	8
	4.1: Tripod head preparation	8
	4.2: Gold Plate preparation	8
	4.2.1: Attach Gold Plate to a tripod.....	10
	4.3: Mount MSP08 on a Gold Plate.....	11
	4.3.1: Attach mounting bracket to a Gold Plate	12
5	MSP08 Connections	13
	5.1: Physical characteristics	13
	5.1.1: Video and power inputs	14
6	MSP08 Operation	15
	6.1: Connections	15
	6.2: OSD controls	15
	6.2.1: Accessing the OSD controls.....	15
	6.3: Input select	16
	6.4: Adjust display parameters	17
	6.4.1: Display settings	17
	6.4.2: Image settings	18
	6.4.3: Color settings.....	18
	6.4.4: Image position	18
	6.4.5: Picture in picture (PIP) mode.....	19
	6.4.6: H & V Mirror.....	19
	6.4.7: OSD Control	19
	6.4.8: Languages.....	20
7	Troubleshooting and Maintenance	21
	7.1: Common problems	21

7.2: Maintenance.....	22
7.2.1: Cleaning the monitor	22
7.2.2: Care and handling advice.....	23
8 Sales and Support Information	24
Sales information.....	24
Technical support.....	25

SECTION 1: Introduction

For the broadcaster, production facility or event organiser requiring greater viewing distances and larger display areas, Autocue prompter display and on-camera units satisfy all your needs.

Autocue on-camera units comprise prompter display, hood, mounting bracket, tripod plate and accessories.

Designed for the most demanding of broadcast environments, Autocue prompter display and on-camera units have crisp, ultra-bright picture quality, precision controls, and rugged construction.

Autocue prompter display and on-camera units are available in a range of configurations to match most camera, lens and mounting combinations.

1.1: MSP08



Designed for use with light-weight tripods and jib arms, the MSP08 combines portability and light weight design with excellent readability. This makes it suitable for non-traditional broadcast sectors, such as production companies, educational institutions, religious broadcasters, and corporate production facilities.

The MSP08 consists of the following features:

- Medium wide-angle hood designed specifically for the MSP08.
- Super-lightweight construction.

Multiple mounting options including:

- Gold Plate, Pro Plate and Roller Plate for tripods.
- Matte Box bar kit for mounting on jib-arm cameras.

A variety of counterbalances and adjustable weights are available to ensure safe and stable operation and movement of mounted equipment.

Where appropriate, Autocue can also provide a range of accessories, such as cue lights and remote controls, to complement your chosen system.

1.2: About this guide

This document describes how to assemble and mount your chosen Autocue prompter display or on-camera unit. It is suitable for any broadcaster or news production crew. This guide is suitable for novices as well as expert users of the product line from Autocue.

Reference material is also provided that explains how to adjust the various settings and troubleshoot the prompters to ensure optimum performance.

1.3: Copyright information

©2007 Autocue Group Ltd. All rights reserved.

No part of this publication may be reproduced, stored in a retrieval system, or transmitted in any recording or otherwise, without prior permission of Autocue Group Ltd.

All third-party software or hardware, including logos, referenced within this guide is copyright of the respective owners.




1.4: Disclaimer

Autocue Group Ltd reserves the right to revise this publication and to make changes in its content without obligation of Autocue Group Ltd to notify any person or persons of such revision.




SECTION 2: MSP08 Components

The following tables list the supplied and recommended components for your MSP08 on-camera unit.

2.1: Supplied equipment

Item Name	Illustration
MSP08 (supplied attached to Small Mounting Bracket)	
Power and video cable	
Gold Plate	

2.2: Optional equipment

Item Name	
Medium Wide Angle Hood	 A white, trapezoidal hood with a dark frame, shown from a perspective view.
Roller Plate	 A black, rectangular metal plate with two metal rollers on the bottom edge and mounting holes on the right side.
Medium Mounting Bracket	 A black metal mounting bracket with two vertical support posts and a central mounting plate.

2.3: Other equipment as required

Item Name	
Tripod	

SECTION 3: MSP08 Technical Specifications

ATTRIBUTE	VALUE
Display size	8.4" (213mm)
Brightness	1400Nits
Resolution	1600 x 1200
Contrast Ratio	350 : 1
Reading range	10ft (3m)
Input signal	Composite 1Vp-p 75Ohm
Composite standard	NTSC, PAL, SECAM
Power input	12V DC (1 x 4-pin XLR connector)
Power consumption	22W 1.8A @ 12V DC
Display controls	Menu based push button controls. Direct brightness adjustment.
Assembly weight	6.0-8.0lb (2.7-3.6kg) (varies by mount selection)
Monitor options	<i>Specify on purchase</i>
- Cue light	Tally light on request - connects into the camera - requires 12V from the camera tally out socket.
Hood options	Small wide-angle hood.
- Glass	70:30 transmission
Mounting options	Gold Plate; Matte Box Bar Kit; Hand-Held Shoulder Grip

SECTION 4: Assembly Procedures

An Autocue On Camera Unit can be used with almost any industry-standard camera and tripod combination. On camera units comprise a tripod head attachment, prompter monitor and hood with integral two-way mirror.

Assembling and mounting your on camera unit involves:

- preparing the mounting plates and brackets
- attaching the prompter monitor
- attaching the hood and glass components
- connecting required cables
- ensuring all connections and fixings are secure.

4.1: Tripod head preparation

Autocue on camera units are designed to work with most standard tripods. The first step is to remove the camera mounting plate from the tripod head.



4.2: Gold Plate preparation

The Autocue Gold Plate is provided disassembled as illustrated below.

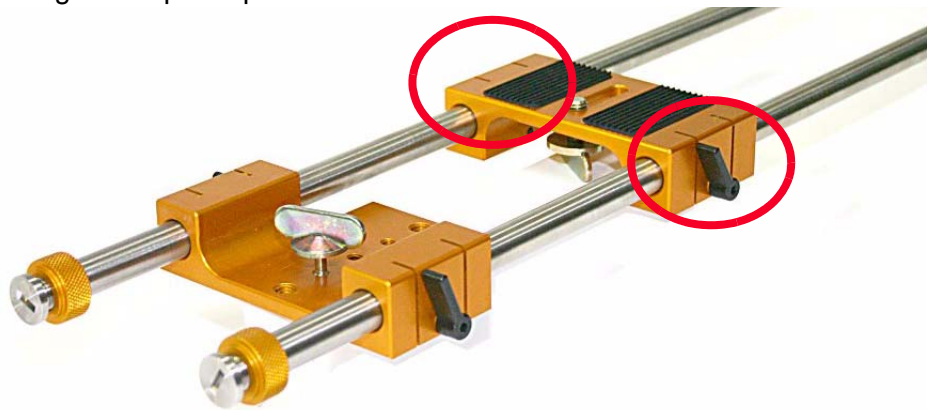


The body of the Gold Plate consists of the mounting slide and the camera carriage. Once the Gold Plate is assembled, it can be attached to a tripod or to a hand-held shoulder grip.

1. Screw the Gold Plate extension bars into the ends of the threaded rods protruding from the camera carriage of the Gold Plate.



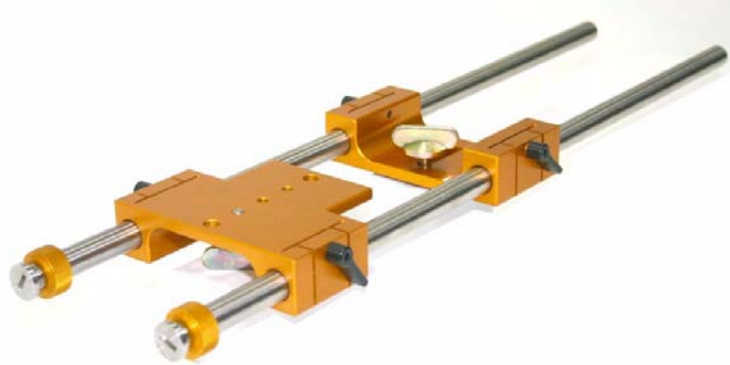
2. Adjust the distance between the camera carriage and the mounting slide. The distance depends on whether the Gold Plate will be attached to a tripod or shoulder mount.
3. Loosen the locking levers on the camera carriage and move the camera carriage to required position.



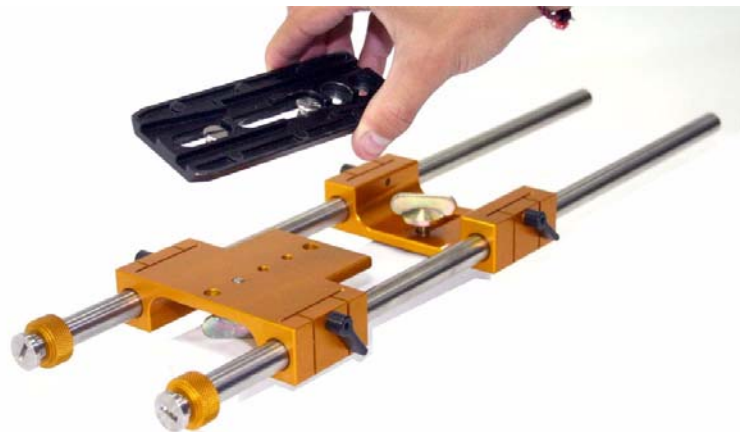
4. Loosen the locking levers on the mounting slide and move it to the required position.

4.2.1: Attach Gold Plate to a tripod

1. Place the Gold Plate on a flat surface with the mounting slide uppermost.



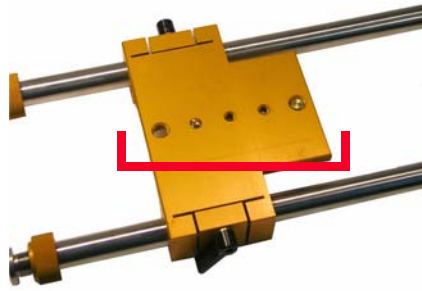
2. Place the tripod camera mounting plate on to the Gold Plate mounting slide.



3. Fix the camera mounting plate in place by screwing it to the Gold Plate mounting slide.



NOTE:



Camera mounts vary, but must be only attached using the large or small threaded holes in the Gold Plate mounting slide.

4. Fix the combined Gold Plate and camera mounting plate to your tripod.



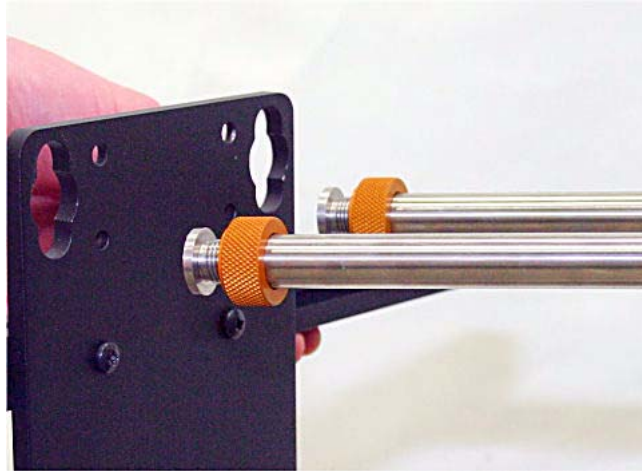
4.3: Mount MSP08 on a Gold Plate

The MSP08 is delivered as an assembled unit which is simply attached to whichever tripod mount or shoulder grip you have purchased

4.3.1: Attach mounting bracket to a Gold Plate

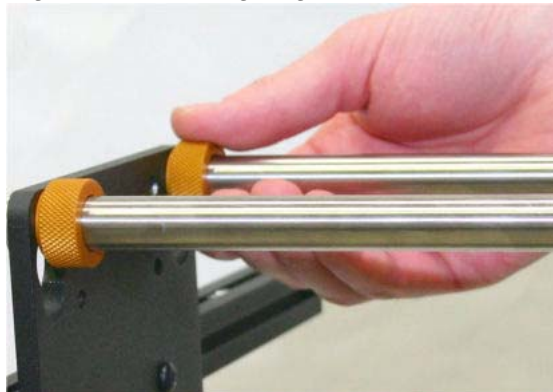
Ensure that the Gold Plate is securely attached to a tripod or shoulder mount.

1. Loosen the knurled locking rings on the adaptor rods at the front of the Gold Plate.
2. Place the openings in the keyhole plates over the ends of the adaptor rods.



NOTE: Ensure the keyhole plates remain in front of the locking rings.

3. Tighten the locking rings to secure the mounting bracket in position.



4. Mount your camera on the Gold Plate camera carriage.
5. Adjust the position of the whole assembly on the tripod so that it is correctly balanced.

SECTION 5: MSP08 Connections

5.1: Physical characteristics

The prompter display unit of the Autocue MSP08 is illustrated below.



The MSP08 has four control buttons on the side of the unit.



Buttons	Control
Menu	Opens the OSD menus or Opens a particular sub-menu
Exit	Exits from the a sub-menu or Closes the OSD
Up	Move OSD cursor to highlight a sub-menu or Increase the value of a parameter
Down	Move OSD cursor to highlight a sub-menu or Decrease the value of a parameter

The actions of the on-screen menus are described in Section 6: Prompter Operation.

5.1.1: Video and power inputs

Connect video cables and power leads to the sockets on the side of the .prompter display unit.



Power. Use either a standard mains electrical supply cable to the Mains Input socket or use the supplied 12 V DC XLR connector to the DC Input socket.

Video. You can connect a video signal via the Video In BNC or use the prompter display unit directly from your computer using a standard VGA cable.

SECTION 6: MSP08 Operation

OSD (On Screen Display) menus are used to configure the prompter display unit and prepare it for displaying scripts.

NOTE: While operating prompter display units, troubleshooting or maintenance tasks may need to be performed on the prompter display unit. For guidance, refer to section 1.

6.1: Connections

Once your MSP08 and camera combination are securely mounted on a tripod or shoulder grip, attach the MSP08 cabling.

1. Ensure you have a power supply and video signal available

6.2: OSD controls

The OSD controls are used to make changes to parameters, perform scaling adjustments and amend other operational settings of your MSP08.

6.2.1: Accessing the OSD controls

The Menu button on the side of the MSP08 opens the OSD controls. An example OSD menu screen is shown below.



NOTE: If no adjustment is made to a control, the OSD will switch off after approximately ten seconds.

Seven menu categories are used to set up a MSP08 prompter display unit:

- Display settings
- Color settings
- Image position
- H & V Mirror
- OSD Control
- Languages

The tables in the following sections list the various sub-menu selections and the options that can be set for them.

Press the Up and Down arrows to highlight a heading and press the Menu button to select it. The sub-menus within each category are selected with the Up & Down buttons.

Press Menu again to select a sub-menu from a category and then the Up and Down arrows to adjust or change the parameters. Press Menu once more to save the setting.

6.3: Input select

To select a video signal source for your prompter display unit, push and hold the Menu button for approximately two seconds.

Your MSP08 display unit has two channels available.

Channel	Signal Source Options
Main and Secondary	VGA
	DVI
	Composite Video
	s-Video
	Component Video

NOTE: If the main source uses a computer input, the secondary can only accept a video signal.

6.4: Adjust display parameters

The Menu button and the Up and Down arrow buttons are used to move between sub-menus and make option selections and changes to parameters.

Task	Button to press
Open OSD	Menu
Highlight sub-menu	Up / Down arrows
Select sub-menu	Menu
Highlight parameter	Up / Down arrows
Select parameter	Menu
Adjust values	Up / Down arrows
Save setting	Menu
Close OSD	Auto

6.4.1: Display settings

The various display settings for the image can be adjusted using this option. Alter the values of the different parameters to suit the ambient light levels where you are using the display unit.



Category	Change setting
Brightness	Use Up or Down arrow keys to increase or decrease the brightness of the display.
Contrast	Use Up or Down arrow keys to increase or decrease the contrast of the display.
Saturation	Use Up or Down arrow keys to increase or decrease the saturation levels of the colours shown on the display.
Hue	Use Up or Down arrow keys to increase or decrease the hue of the colours of the display.
Fleshtone	Use Up or Down arrow keys to adjust this parameter to show realistic flesh colours.
Black Level	Use Up or Down arrow keys to increase or decrease the Black Level of the display and improve the depth of colours.

6.4.2: Image settings



Sub-menu	Options
Auto Adjust	Use for automatic image adjustment
Clock	Set date and time manually
Phase	Adjust the focus and clarity of the display
Scaling	Adjust for wide-screen or standard aspect ratios

6.4.3: Color settings

You can either select the preset RGB values for the colour temperatures 6500 K or 9300 K or select the user option and set your own values to suit the ambient lighting conditions.



6.4.4: Image position



Sub-menu	Options
Zoom in	Enlarge image
Horizontal Pan	Horizontal pan of enlarged image
Vertical Pan	Vertical pan of enlarged image

Sub-menu	Options
Horizontal	Horizontal position on screen
Vertical	Vertical position on screen
Zoom out	Reduce image size

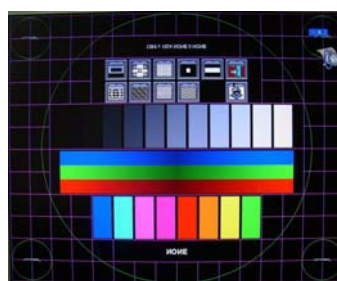
6.4.5: Picture in picture (PIP) mode

PIP is not utilised by Autocue software.

6.4.6: H & V Mirror

Use the various controls to flip the image on the display either horizontally, vertically or in both axes.

The effect of switching horizontal mirroring off and vertical mirroring on is illustrated below.



6.4.7: OSD Control

Use these settings to define where on the screen the OSD menus appear when you press the Menu button.

Sub-menu	Options
OSD Timeout	Set how long the OSD menus are display until they automatically switch off.
Horizontal	Set horizontal position of the OSD
Vertical	Set vertical position of the OSD
OSD Blend	Setting of OSD blend
OSD Zoom	Set the size of the OSD

6.4.8: Languages

Your MSP08 can display on-screen menus in the following languages:

- English
- Chinese
- Japanese
- French
- Korean
- Spanish

SECTION 7: Troubleshooting and Maintenance

7.1: Common problems

The table below lists common problems that may occur during prompter operation. Suggested things to look for are.

Problem	Check...
The power LED of the LCD flat-panel display is not illuminated	if the power switch for the unit is in the ON position
	if the power cord is connected to a working power outlet.
	if the power cord is plugged in to the unit
There is no picture visible	if the power supply receives power and is correctly connected to the display
	if the signal cable is correctly connected to the graphics board or to the video source and display
	if the device is it turned on and set to the correct mode (VGA or video)
	if the display supports the graphics mode of the graphics board (see Technical Specifications)
	if the connectors have any bent pins
	if the brightness and contrast settings in the OSD menu are appropriate
	if the screen saver settings of your system are causing problems
The power LED is red	See previous item #2.
The image is blurred or unstable	if the signal cable is correctly connected
	if the selected graphics mode is correct.
	if the display supports the graphics mode of the graphics board.
	if the resolution of the unit is set to less than 1280 x 1024 at a refresh rate of 60 Hz. (For resolutions lower than this the image is expanded via interpolation which may cause errors. As a result the image may look blurred.)
<i>Alternative suggested remedies:</i>	
	Select "Auto adjust" from the Position menu.

Problem	Check...
	Select the H-Total and Phase functions from the Position menu and change the settings to achieve a sharp and stable image (these settings may have to be repeated when you have selected another graphics mode).
The image is not sized properly or not centered	if the horizontal and vertical image position in the OSD menu is set correctly
	If the selected graphics mode is appropriate
	if the display unit supports the graphics mode of the graphics board
OSD error message: "Signal overrange"	if the selected graphics mode is correct.
	if the display unit supports the graphics mode of the graphics board

For further troubleshooting assistance, refer to our Frequently Asked Questions (FAQ) database on our website: www.autocue.com.

7.2: Maintenance

7.2.1: Cleaning the monitor

CAUTION: **Electric Shock Hazard!**

Isolate the prompter display unit and any other devices from any power source before cleaning the display unit surface.

Regular cleaning will help keep your prompter display unit in good condition.

- As recommended by the manufacturers, use tepid water with a small amount of detergent to clean the glass on the prompter display unit and then leave it to dry naturally.
- Wipe the equipment surface down with a moist cloth; do not allow liquid to enter the equipment.
- Clean the prompter display unit screen with a lint-free, soft cloth. Do not use (glass) cleaning agents or paper tissues for cleaning. In addition, do not clean the glass with abrasive cleaners or dusters, these will scratch the glass coating.
- Wait until all cleaned parts are completely dry before reconnecting the prompter display unit to the power source.

7.2.2: Care and handling advice

- Avoid dropping the prompter display unit or any of its individual components.
- Clean the monitor periodically.

NOTE: Do not use abrasive cleaners or dusters when cleaning the monitor.

- Do not run the prompter for excessively long periods of time. This will cause the operation of the backlight panel to deteriorate, gradually becoming dimmer.
- Do not use in wet weather without a cover.
- Do not expose to sunlight for long periods of time.
- Adjust the mounting bracket to allow clear space between the glass of the hood and the fully-extended camera lens
 - small vibrations may cause scratches
 - contact by the lens may break the glass
- Ensure that the prompter display unit is correctly aligned both horizontally and vertically with the camera
- Ensure that the whole on camera unit is securely fastened and does not sway from side to side.

SECTION 8: Sales and Support Information

We have been working in live broadcast environments for the past 50 years and understand the importance of efficient and effective hardware and software support.

We provide the latest prompting software builds for free on our website ensuring you continue to benefit from enhancements. Warranties cover all of our hardware products, with an in-house assessment and repair service offered outside of the warranty period.

Sales information

International enquiries

Autocue	
Unit 3, Puma Trade Park	Tel: +44 20 8665 2992
145 Morden Road	Fax: +44 20 8687 4869
Mitcham	e-mail: info@autocue.co.uk
Surrey	web: www.autocue.com
CR4 4DG	
UK	

Contacts

Richard Satchell - Global Prompting Sales & Marketing Director

Tel: +44 20 8687 4858
Fax: +44 20 8687 4869
Mob: +44 77 2081 3897
e-mail: sales@autocue.co.uk

Simeon Pearl - International Sales Associate

Tel: +44 20 8687 4858
Fax: +44 20 8687 4869
e-mail: sales@autocue.co.uk

Lee Spurway - Sales Customer Service Manager

Tel: +44 20 8687 4862
Fax: +44 20 8687 4869
e-mail: sales@autocue.co.uk

Americas enquiries

QTV
306 5th Avenue
3rd Floor
New York
10001-3600
USA

Tel: +1 212 929 7755
Fax: +1 212 929 2105
e-mail: info@qtv.com
web: www.qtv.com

Contacts

Keith Andoos - Sales Director (Americas)

Tel: +1 212 929 7755
Fax: +1 212 929 2105
Mob: +1 516 353 0113
kandoos@qtv.com

Aaron Brady - Sales Manager

Tel: +1 212 929 7755
Fax: +1 212 929 2105
Mob: +1 516 528 3599
e-mail: sales@qtv.com

Technical support

Our hardware and software support is provided by our own in-house teams.

Telephone support

We provide 24/7 support for our QSeries and Rental customers, with support for prompting customers available during UK office hours (9am till 6pm GMT) and US office hours (9am till 5pm EST).

Onsite support

Our Tech Support team also travel to customer sites to install QSeries systems and offer ongoing after-sales support to QSeries customers.

To request technical support please use one or more of the following options.

International

Phone.

1. Call the main Autocue number:
+44 20 8665 2992
2. Select the support option

3. Leave a message including as much detail about the problem as practical.

Email.

1. Send an email to:
support@autocue.co.uk
Remember to include as much detail as possible. A phrase such as "Screen blank" makes it difficult for the support staff to diagnose a problem and will delay providing you with an answer.

Web site.

1. Go to www.autocue.com
2. Select "Support" and then "Problem Form" from the menu bar
3. Complete the form and submit it.

Americas

Phone.

1. Call the main QTV number:
+1 704 377 1496
2. Select the support option
3. Leave a message including as much detail about the problem as practical.

Email.

1. Send an email to:
support@qtv.com
Remember to include as much detail as possible. A phrase such as "Screen blank" makes it difficult for the support staff to diagnose a problem and will delay providing you with an answer.

Web site.

1. Go to www.qtv.com
2. Select "Support" and then "Problem Form" from the menu bar
3. Complete the form and submit it.